

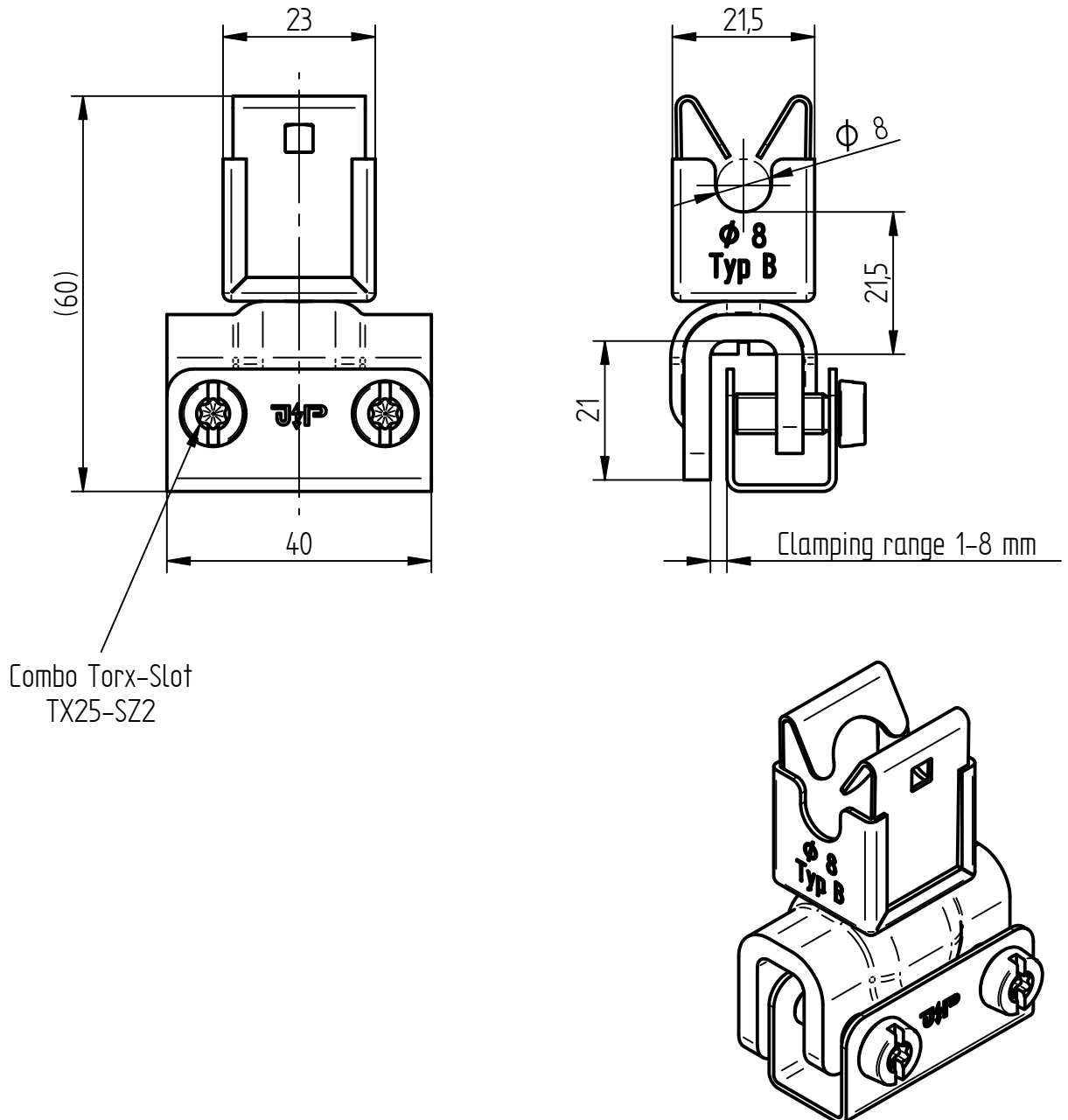
# Product Specification

**Ord.-No.:** 913 732 / E0683590



**Specification:** Conductor fastener, V2A-St/tZn, Ø 8 mm type B, with standing seam clamp

**Performance:** Universal conductor fastener according to DIN EN 62561-4 for fixing round conductors. Type with Niro-Clip conductor fastener and standing seam clamp.



Combo Torx-Slot  
TX25-SZ2

Material of standing seam clamp	St/tZn
Clamping range	1-8 mm
Material of conductor fastener	Stainless steel V2A
Height of conductor leading	21,5 mm
Fit of conductor fastener	Ø 8 mm
Conductor leading	loose, type B
Weight	109 g
Standard reference	DIN EN 62561-4
Packing unit	50 units