

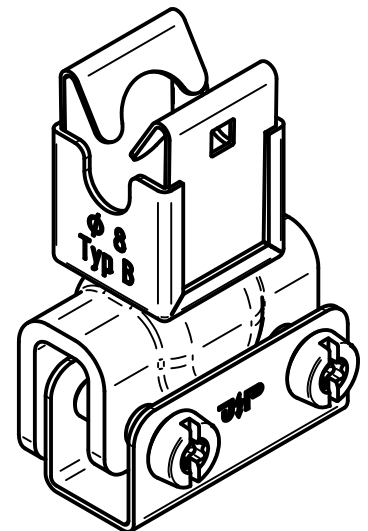
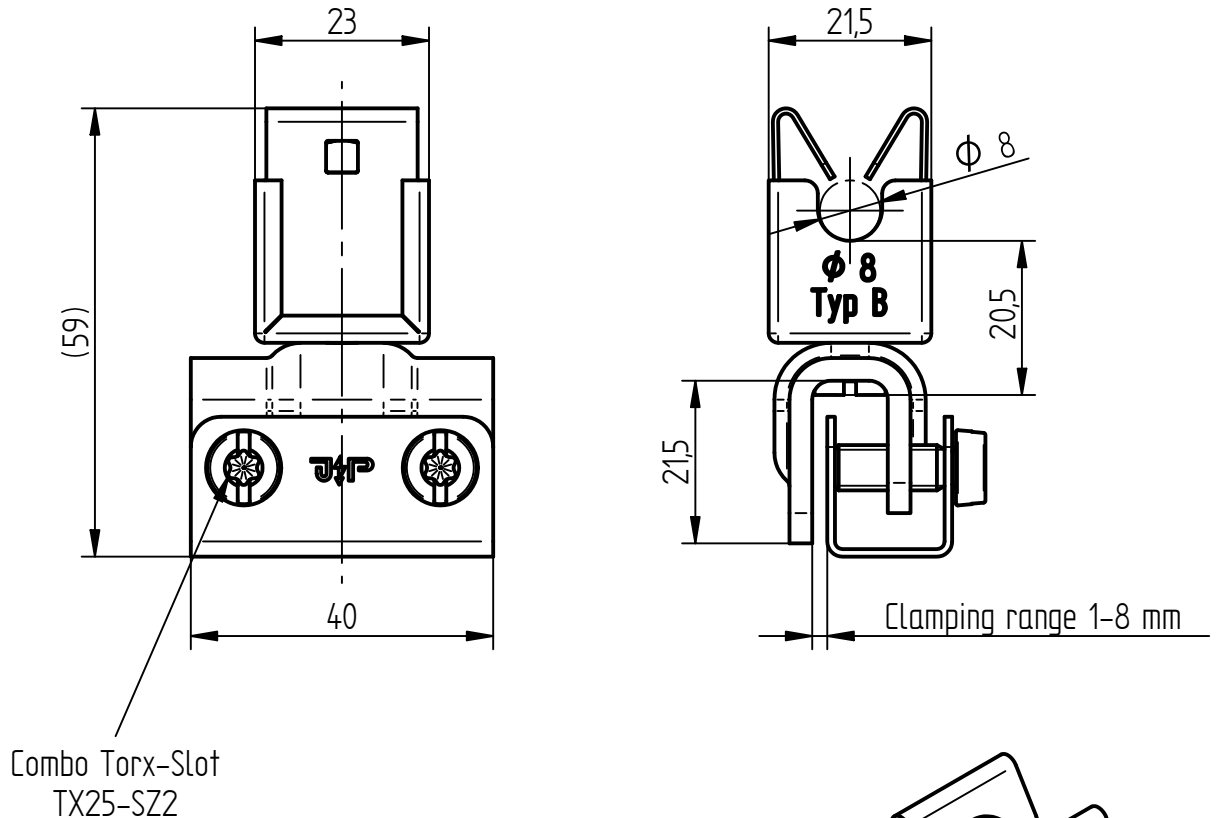
Product Specification

Ord.-No.: **913 734 / E0683586**



Specification: Conductor fastener, V2A, Ø 8 mm type B, with standing seam clamp

Performance: Universal conductor fastener according to DIN EN 62561-4 for fixing round conductors. Type with Niro-Clip conductor fastener and standing seam clamp.



Material	Stainless steel V2A
Clamping range	1-8 mm
Height of conductor leading	20,5 mm
Fit of conductor fastener	Ø 8 mm
Conductor leading	loose, type B
Weight	94 g
Standard reference	DIN EN 62561-4
Packing unit	50 units