

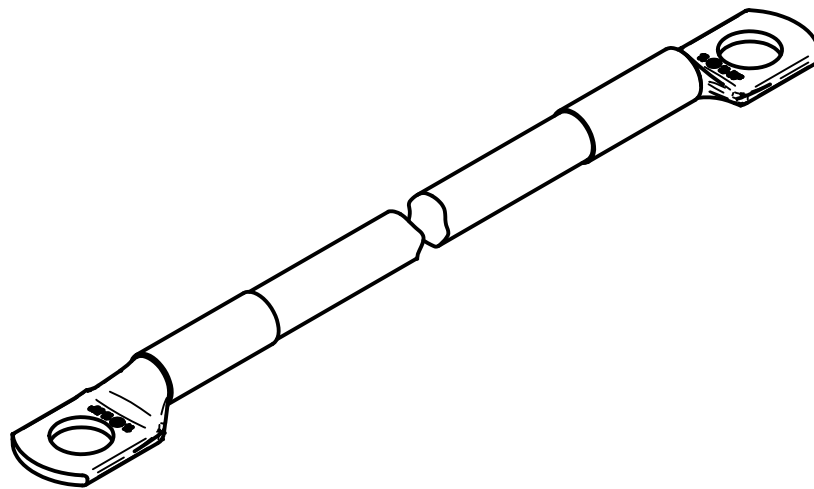
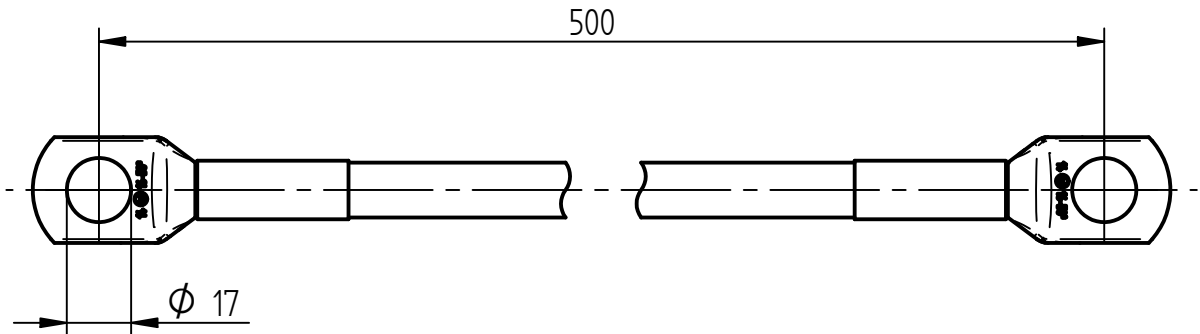
# Product Specification

**Ord.-No.:** **113 043 / E0680528**



**Specification:** Earthing connector JP-EV, Length 0.50 m  
NYY-O 70 mm<sup>2</sup>, 2x cable lug Ø 17 mm

**Performance:** Earthing connector according to DIN EN 62561-1 to be used for the bridging connection of earthing terminals or earthing kits.



Type	JP-version II for short circuit currents > 25 kA, 16 2/3 Hz
Cable	copper cable NYY-O
Cross section of cable	70 mm <sup>2</sup>
Length (bore to bore)	500 mm
Heat shrink tubing	on both sides
Cable lugs	DIN 46235
Material of cable lugs	tin-plated copper
Mounting holes	[2x] Ø 17 mm
Approval	Eisenbahn Bundesamt, Zeichnungsnr. 3 Ebs. 15.03.01 und 4 Ebs 15.03.17
Weight	550 g
Standard reference	DIN EN 62561-1
Packing unit	1 unit