

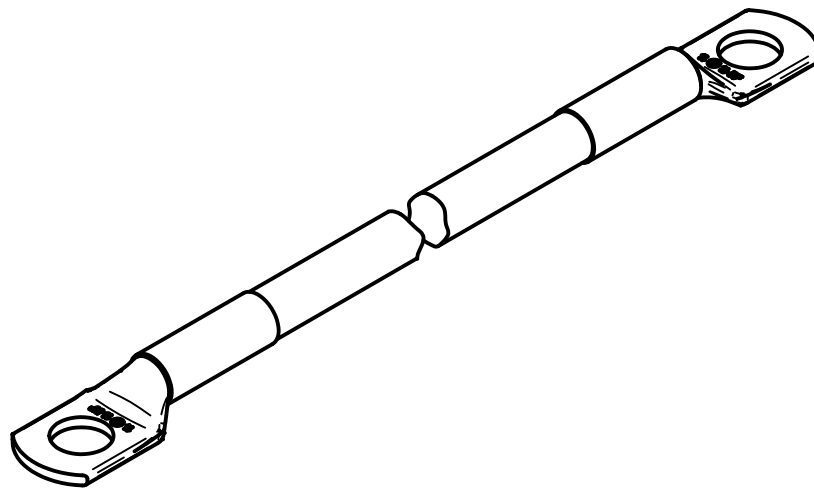
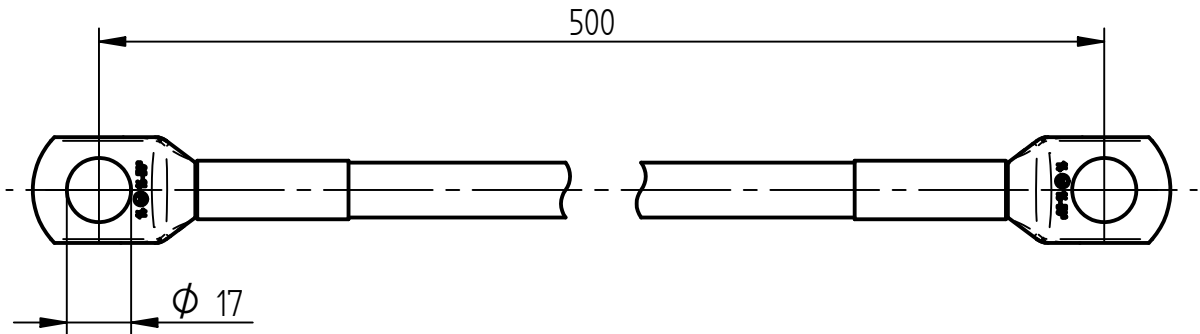
Product Specification

Ord.-No.: **113 065 / E0680526**



Specification: Earthing connector JP-EV, total length 500 mm
NYY-O 50 mm², 2x cable lug Ø 17 mm

Performance: Earthing connector according to DIN EN 62561-1 to be used for the bridging connection of earthing terminals or earthing kits.



Type	JP-version I for short circuit currents ≤ 25 kA, 16 2/3 Hz
Cable	copper cable NYY-O
Cross section of cable	50 mm ²
Length (bore to bore)	500 mm
Heat shrink tubing	on both sides
Cable lugs	DIN 46235
Material of cable lugs	tin-plated copper
Mounting holes	[2x] Ø 17 mm
Approval	Eisenbahn Bundesamt, Zeichnungsnr. 3 Ebs. 15.03.01 und 4 Ebs 15.03.17
Weight	390 g
Standard reference	DIN EN 62561-1
Packing unit	1 unit